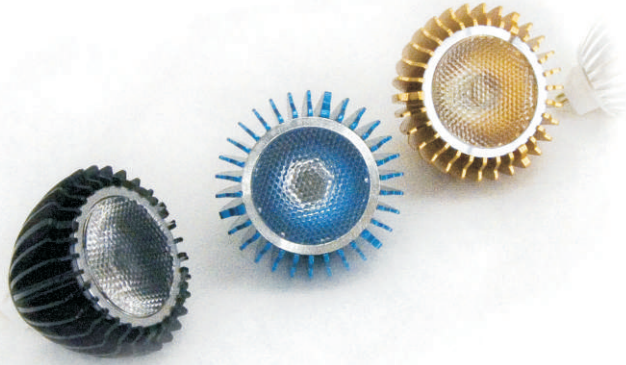


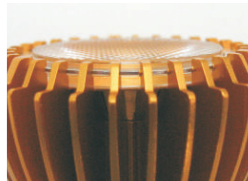
# MR16-X2

CREE XRE  
inside

High Power LED MR16 Lamp with CREE Xlamp Inside



Unique single lens design



Patented thermal housing design



Indoor



38°  
Angle



Driver  
IC  
Inside



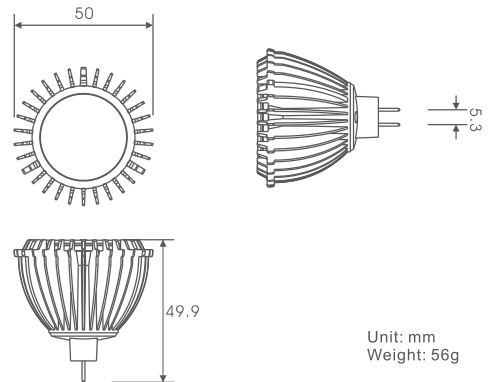
## ■ Features

- » Replacing halogen MR16 bulb
- » World leading high efficiency LED inside (>100lm/Watt CREE Xlamp)
- » Unique single lens design for best lighting pattern
- » Patented thermal dissipation design for heat dissipation
- » No UV or IR irradiation
- » Saving >80% energy and long life time
- » CE and RoHS certified

## ■ Applications

- » Accent lighting, Cabinet, Display case, Working/Dinning/Shopping/Living Area, etc.

## ■ Dimensions



Unit: mm  
Weight: 56g

## ■ Specifications

Mode No.	Color	Color Temp.	Operating Voltage	Base	Total Power	Flux <sup>*(±15%)</sup>	Lux @1M	CRI	Viewing Angle
LMR16X2-DW-S38	Day White	5000K~6300K	12V AC/DC	GU 5.3	4W	220 lm	750 Lux	75	38°
LMR16X2-WW-S38	Warm White	2650K~3050K	12V AC/DC	GU 5.3	4W	165 lm	560 Lux	80	38°

## MR16X1 Illumination Chart

LMR-16X1-DW-S08

8°	0.5 M	19800 ± 15% lux
	1 M	5650 ± 15% lux
	2 M	1350 ± 15% lux
	Day White	

LMR-16X1-DW-S25

25°	0.5 M	2150 ± 15% lux
	1 M	595 ± 15% lux
	2 M	160 ± 15% lux
	Day White	

LMR-16X1-DW-S45

45°	0.5 M	720 ± 15% lux
	1 M	210 ± 15% lux
	2 M	60 ± 15% lux
	Day White	

LMR-16X1-WW-S08

8°	0.5 M	14000 ± 15% lux
	1 M	4000 ± 15% lux
	2 M	1000 ± 15% lux
	Warm White	

LMR-16X1-WW-S25

25°	0.5 M	1690 ± 15% lux
	1 M	420 ± 15% lux
	2 M	125 ± 15% lux
	Warm White	

LMR-16X1-WW-S45

45°	0.5 M	535 ± 15% lux
	1 M	145 ± 15% lux
	2 M	45 ± 15% lux
	Warm White	

## MR16X2 Illumination Chart

LMR-16X2-DW-S38

38°	0.5 M	2650 ± 15% lux
	1 M	750 ± 15% lux
	2 M	185 ± 15% lux
	Day White	

LMR-16X2-WW-S38

38°	0.5 M	2150 ± 15% lux
	1 M	560 ± 15% lux
	2 M	140 ± 15% lux
	Warm White	

## MR16 Fixture

No.	Mode No.	Description
1	LMR-SLH06-CT-L11	MR16 stand type fixture (chromate treatment), H: 11 cm
2	LMR-SLH06-AT-L11	MR16 stand type fixture (aluminum anodized), H: 11 cm
3	LMR-SLH06-CT-L16	MR16 stand type fixture (chromate treatment), H: 16 cm
4	LMR-SLH06-AT-L16	MR16 stand type fixture (aluminum anodized), H: 16 cm
5	LMR-SLH06-CT-L20	MR16 stand type fixture (chromate treatment), H: 20 cm
6	LMR-SLH06-AT-L20	MR16 stand type fixture (aluminum anodized), H: 20 cm

