

MRII-XI

CREE XRE
inside

High Power LED MR11 Lamp with CREE Xlamp Inside



Patented thermal housing design

Various optical angles &
Maximized fin area

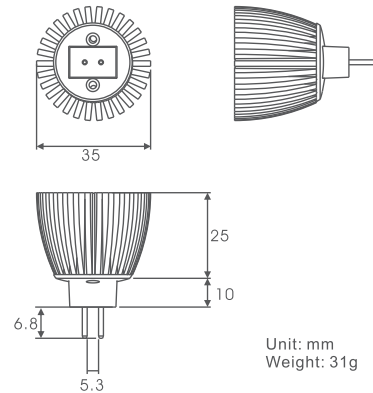
■ Features

- » Replacing halogen MR11 bulb
- » World leading high efficiency LED inside (>100lm/Watt CREE Xlamp)
- » Patented thermal design & maximized fin area for heat dissipation
- » Various optical lens design for different light pattern
- » Saving >80% energy and long life time
- » No UV or IR irradiation
- » CE and RoHS certified

■ Applications

- » Accent lighting, Cabinet, Display case, etc.

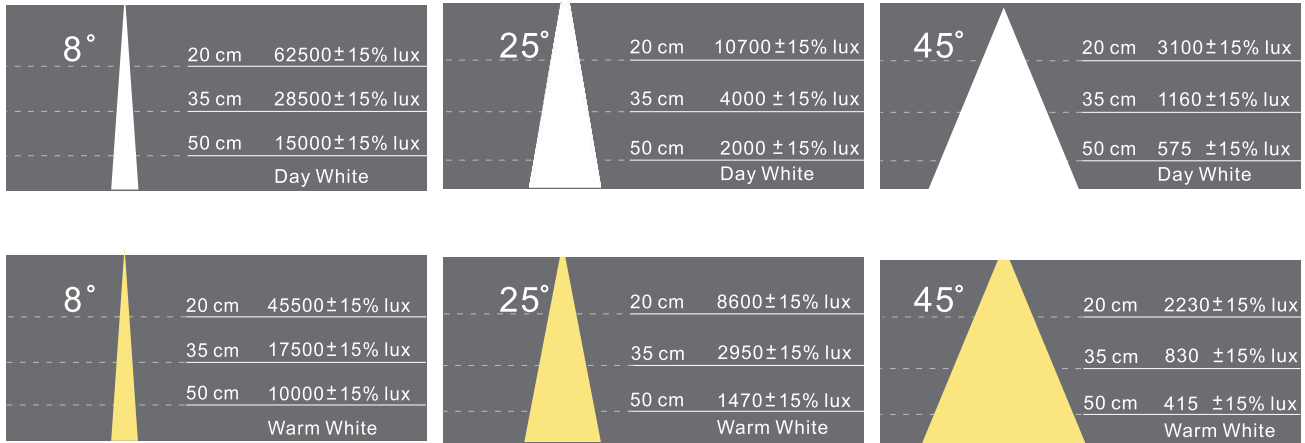
■ Dimensions

Unit: mm
Weight: 31g

■ Specifications

Mode No.	Color	Color Temp.	Operating Voltage	Base	Total Power	Flux*(±15%)	Lux @20cm	CRI	Viewing Angle
LMR-11X1-DW-S08	Day White	5000K~6300K	12V AC/DC				62,500 Lux	75	8°
LMR-11X1-DW-S25	Day White	5000K~6300K	12V AC/DC	GU 5.3	2.4W	120 lm	10,700 Lux	75	25°
LMR-11X1-DW-S45	Day White	5000K~6300K	12V AC/DC				3,100 Lux	75	45°
LMR-11X1-WW-S08	Warm White	2650K~3050K	12V AC/DC				45,500 Lux	80	8°
LMR-11X1-WW-S25	Warm White	2650K~3050K	12V AC/DC	GU 5.3	2.4W	90 lm	8,600 Lux	80	25°
LMR-11X1-WW-S45	Warm White	2650K~3050K	12V AC/DC				2,230 Lux	80	45°

■ Illumination Chart



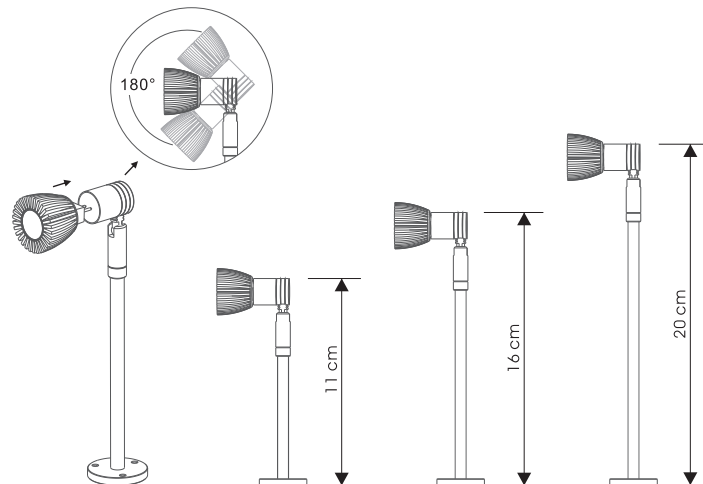
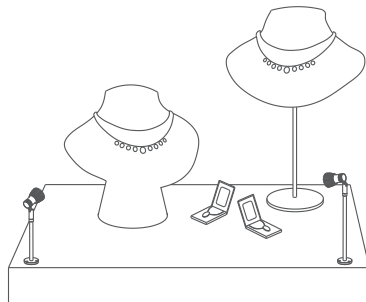
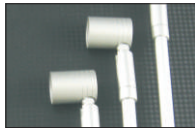
■ MR11 Fixture

No.	Model No.	Description
1	LMR-SLH01-CT-L11	MR11 stand type fixture (chromate treatment), H: 11 cm
2	LMR-SLH01-AT-L11	MR11 stand type fixture (aluminum anodized), H: 11 cm
3	LMR-SLH01-CT-L16	MR11 stand type fixture (chromate treatment), H: 16 cm
4	LMR-SLH01-AT-L16	MR11 stand type fixture (aluminum anodized), H: 16 cm
5	LMR-SLH01-CT-L20	MR11 stand type fixture (chromate treatment), H: 20 cm
6	LMR-SLH01-AT-L20	MR11 stand type fixture (aluminum anodized), H: 20 cm

Chromate treatment

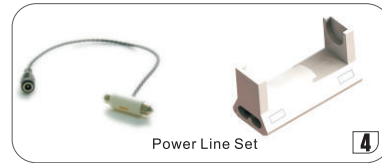
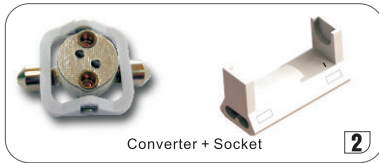


Aluminum anodized



■ Accessories

No.	Mode No.	Item Name	Description
1	LBT-FT-Cable	Cable	Cable for installing lamp holders (7A wire)
2	LBT-MR2FT	Socket Set	MR11 base plus socket (LL2) to cable
3	LBT-FT-Cap	End Cap	Cap for cable end is insulation
4	LBT-FT-PLST	Power Line Set	Power line for adaptor plus socket (LL1) to cable



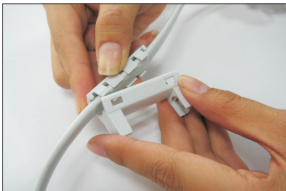
■ Adaptor

No.	Model No.	Type	Plug Type	Output(W)	Input(V)	Output(V/I _{max})
1	PS-V12-W24-X1	Plug-in	US	24Watt	100~240VAC	12VDC/2.0A
2	PS-V12-W24-X2	Plug-in	Euro	24Watt	100~240VAC	12VDC/2.0A

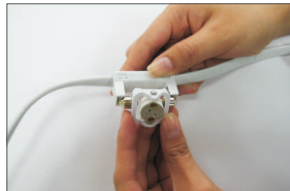


■ Illustrations for connection

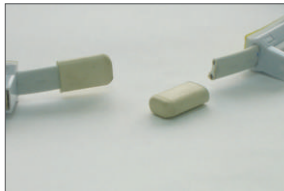
1. Install socket LL2



2. Insert converter



3. Install end cap



4. Insert MR11 bulb



5. Insert power line set
(LL1 socket+Power Line)

