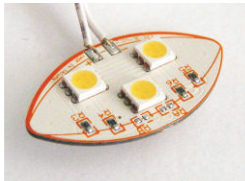
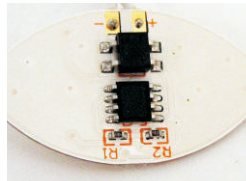


Festoon-PCB

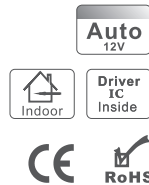
Automotive LED Bulb with Festoon 31/36/42mm Base



High Lumen: 3 LEDs with 12 chips inside



Automotive rated LED driver IC inside



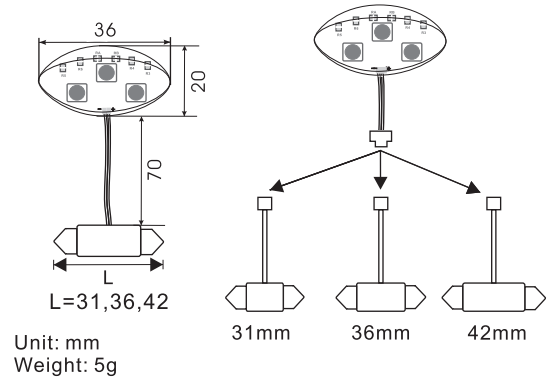
■ Features

- » Automotive rated LED driver IC inside
- » Constant current driving, over-voltage and over-heat protection
- » Festoon base converter for direct replacement
- » White and various colors for choice, bright and stylish
- » Vibration resistant, low heat, power saving and long life time
- » CE/RoHS compliant

■ Applications

- » Exterior license plate; interior reading, trunk light, etc.
- » Automobile, Aircraft, Boat, RV, Truck, etc.

■ Dimensions



■ Specifications

Model No.	LED Color	Color Temp.	Operating Voltage	Base	Total Power	Flux*(±15%)	Viewing Angle
LA-FTPCB-31-W				31mm			
LA-FTPCB-36-W	White	5000~6300K	Auto12V DC	36mm	2.0~2.4W	45~60 lm	110°
LA-FTPCB-42-W				42mm			
LA-FTPCB-All-W	White	5000~6300K	Auto12V DC	31/36/42mm	2.0~2.4W	45~60 lm	110°

* PCB type available for white color and 12V only