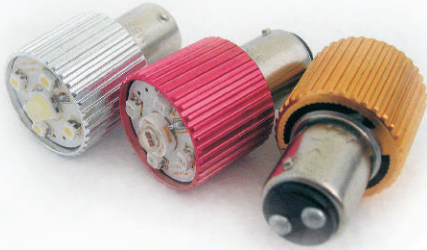


1157(BAY15D)

5W Automotive 1157 LED Bulb with BAY15D Base



World-leading 5W automotive LED bulb



Patented heat sink and optical pattern design



5 W



Driver IC Inside



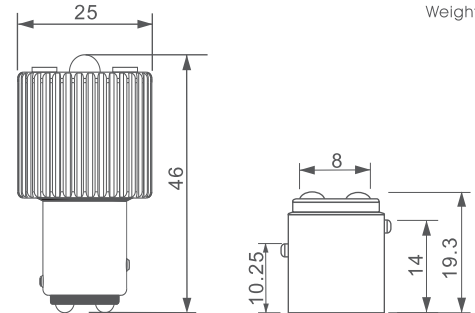
■ Features

- » World leading 5W 1157 on the market
- » Patented thermal and optical design
- » Constant current IC inside with over-voltage protection
- » Standard BAY15D base for direct replacement
- » Vibration resistant, power saving and long life time
- » CE/RoHS compliant

■ Applications

- » For tail, brake, turn signal light, etc
- » Automobile, Aircraft, Boat, RV, Truck, Motorcycles, Bicycles, etc.

■ Dimensions



Unit: mm
Weight: 20g

■ Specifications

Model No.	LED Color	Color Temp.	Operating Voltage	Base	Total Power	Flux*(±15%)	Viewing Angle
LA-1157-A5-12	Amber	584~599nm	Auto12V DC	BAY15D	4.0~5.0W	20/90 lm	120°
LA-1157-R5-12	Red	620~632nm			4.0~5.0W	20/90 lm	120°
LA-1157-W4-12	White	5000~6300K			3.5~4.0W	30/135 lm	160°
LA-1157-A5-24	Amber	584~599nm	Auto24V DC	BAY15D	4.0~5.0W	20/90 lm	120°
LA-1157-R5-24	Red	620~632nm			4.0~5.0W	20/90 lm	120°
LA-1157-W4-24	White	5000~6300K			3.5~4.0W	30/135 lm	160°

*1157 operates all 5 LEDs simultaneously, only suitable for Automotive tail/brake, back-up and turn signal.